

## FOCUS+1 A/W



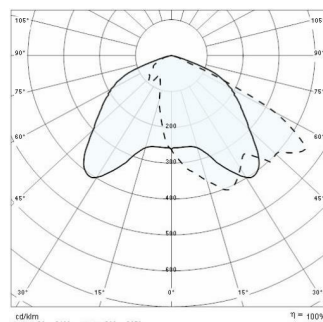
<b>Part number</b>	305112
<b>Lampholder:</b>	LED
<b>Light Source:</b>	LED
<b>Wattage:</b>	18 W
<b>Finish:</b>	AN-96 / Anthracite gray / Textured
<b>Insulation class:</b>	I
<b>Degree of protection:</b>	IP66
<b>IK-J-xxIP:</b>	IK06 1J xx3
<b>CRI:</b>	70
<b>Kelvin:</b>	4000
<b>Power factor:</b>	COSφ ≥ 0,9
<b>EEL:</b>	A1
<b>Optic:</b>	Asymmetric Wide Reflector
<b>Optic Beam:</b>	55°
<b>Lightsource lumen output:</b>	1880 lm
<b>Luminaire lumen output:</b>	1239 lm
<b>L:</b>	L70
<b>B:</b>	B10
<b>Lifetime:</b>	60000 h
<b>Ta MIN luminaire:</b>	-25°
<b>Ta MAX luminaire:</b>	35°



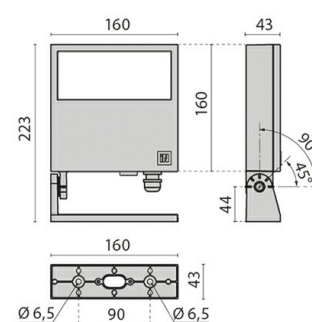
### Description

- LED floodlight for indoor and outdoor lighting, comprising:
- Die-cast painted aluminium housing and trim
  - Adjustable mounting bracket made of die-cast aluminium, painted
  - Extra-clear flat tempered glass diffuser with internal screen printing
  - Asymmetrical optic
  - High power LEDs with next generation high intensity light beam
  - Silicone gasket
  - Stainless steel locking screws
  - Waterproof cable gland M16x1.5 for cables Ø 5- Ø 10 mm
  - Technopolymer peg available for anchoring to the ground
  - Photometric data measure according to UNI EN 13032-4 and IES LM-79-08

### Photometric data



### Technical drawings



## OPTIONAL ACCESSORIES

### FOCUS+ 1



700191  
Ground spike